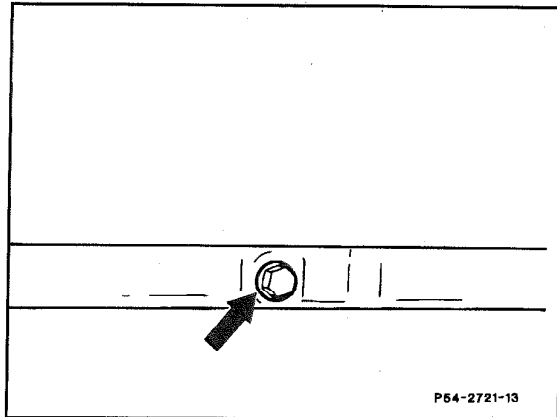


## 82-0881 R and R electric rear seat adjustment

### Removal

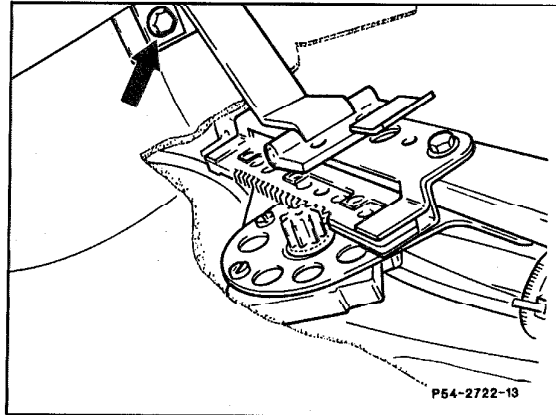
1 Unscrew both mounting screws in the seat bench in the left and right rear footwell.



P54-2721-13

2 Lift rear seat at the front and pull out in driving direction.

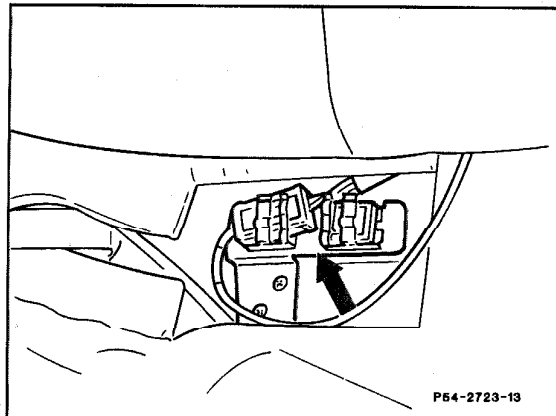
3 Unscrew screws left and right from the rear seat backrest (arrow) and push upwards out of the bracket.



P54-2722-13

Mounting  
Rear seat backrest

4 With installed seat heater separate 2-pole plug connection for seat bench and backrest (arrow) on both sides.



P54-2723-13

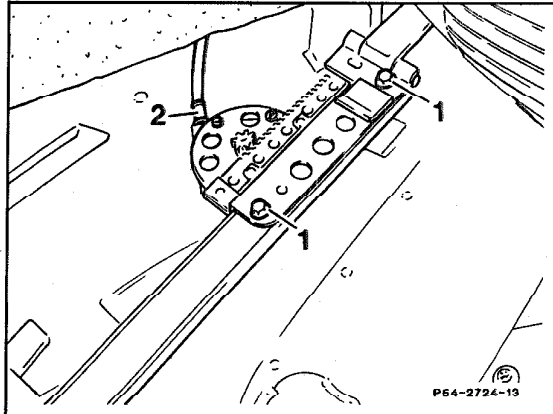
Connector  
Seat heater

P54-2723-13

## 82-0881 R and R electric rear seat adjustment

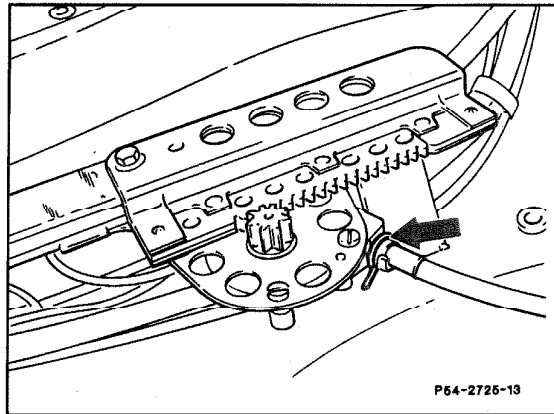
5 Unscrew mounting screws (1) from slide and loosen flexible shaft (2) from seat bench drive and remove adjusting device.

Drive



P54-2724-13

Lock flexible shaft

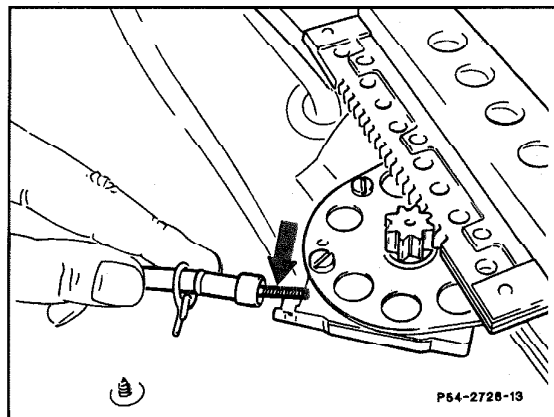


P54-2725-13

6 To remove the core in the flexible shaft, push back wire lock (arrow).

Pull shaft from adjusting device and pull core from the sheath (arrow).

Core flexible shaft



P54-2726-13

## 82-0881 R and R electric rear seat adjustment

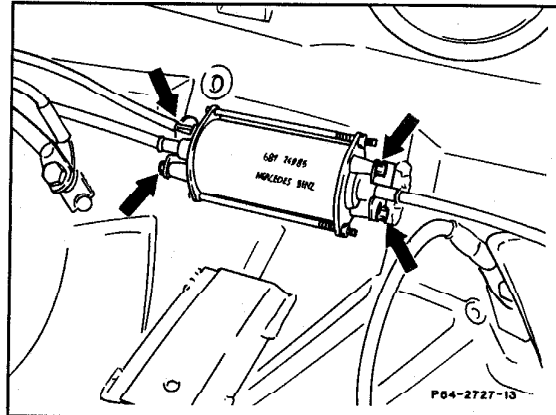
---

7 To remove the motor loosen the 4 screws (arrow) of the mounting. Pull flexible shaft from adjusting device, disconnect electrical wire from 2-pole terminal block.

**Note**

Motor can now be removed with shafts.

Drive motor



P54-2727-13